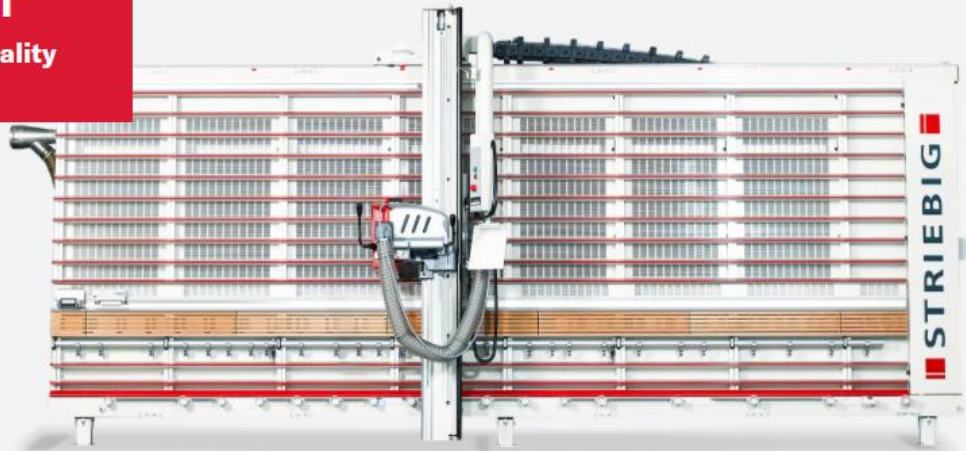


## COMPACT

Entry level to quality and precision



# STRIEBIG COMPACT – the flexible entry-level class universal class

## Highlights of the STRIEBIG COMPACT

### Entry level to quality and precision

The manual entry-level class fulfills all wishes. The COMPACT model has a comprehensive size grid and covers the cutting area from 3100x1644 mm (model 4164) to 5350x2200 mm (model 6220). The choice is yours.

### The saw beam

Guarantee of angular accuracy and solidness: The steel construction of the saw beam is particularly stable and durable. Its twin interlocking mechanism ensures perfect angular accuracy.



### The saw unit

The engine: strong and powerful, 3.9 kW (5.3 HP). The guide: backlash-free and smooth-running. In conjunction with the robust bearing of the motor carriage, this guarantees easy and precise work for years.



## The saw frame

Precision thanks to stability. Upper guide rail, central support and roller support are perfectly parallel to each other. This guarantees you many years of cutting precision and a high-level of investment security.



## The flexible entry-level class

The STRIEBIG COMPACT offers numerous functions and thus provides you with added value. Every detail of the COMPACT is convincing.

## Standard equipment

### Comprehensive standard equipment

- Solid, self-supporting, welded, rigid saw frame
- Sturdy, durable saw beam steel construction
- Robust bearing of the motor carriage ensures high cutting precision
- Strong, low-vibration 3.9 kW motor (5.3 HP)
- TRK dust extraction
- Automatically yielding aluminium slatted frame with plastic supports
- Device for wall mounting
- Up to 17-fold roller support with 3 brake pedals
- Up to 5.50 m long, divided central support at optimum working height, with aluminium grids
- Up to 5.65 m long, integrated small workpiece support made of wood
- Super-silent noise insulation to reduce saw blade noise
- Electromagnetic motor brake

## Technical specifications

Weight of the saw	approx. 910 kg
Cutting depth	60 mm
Saw motor power	3.9 kW (5.3 HP)
Saw blade diameter	250 mm
Saw blade bore	30 mm *1
Emission sound pressure level at the workplace $L_{pA}$	82 dB *2
Saw blade speed	5250 rpm
2 extraction connections	ø 100 mm
Wattage	4.8 kW
Network connection	3 x 400 V / 50 Hz

\*1 with 2 side holes Ø 7 mm, radius 21 mm ·

\*2 measurement standards and emission values in accordance with EN 1870-14, measurement uncertainty allowance  $K = 4$  dB (A).

\*3 main extraction possible on the left or right. Frame extraction system right (fixed). (All data refers to the COMPACT type 6220)

### The following applies to all machines:

Efficient TRK dust extraction system significantly below 2 mg/m<sup>3</sup>. The system used must have an extraction performance of 20 m/s in order to meet the TRK specifications. (Vacuum approx. 1400 Pa. / COMPACT approx. 1470 Pa) at the connector in order to meet the TRK specifications.

### Technical note:

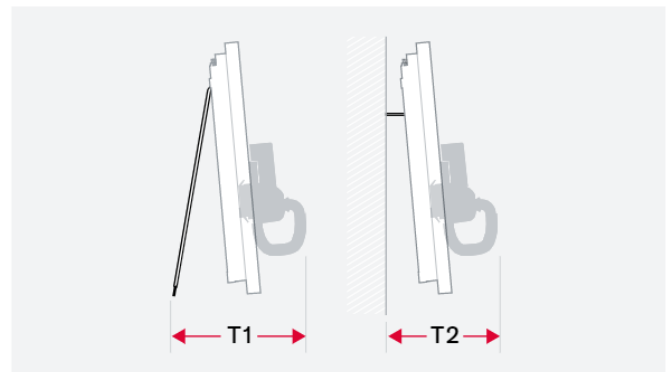
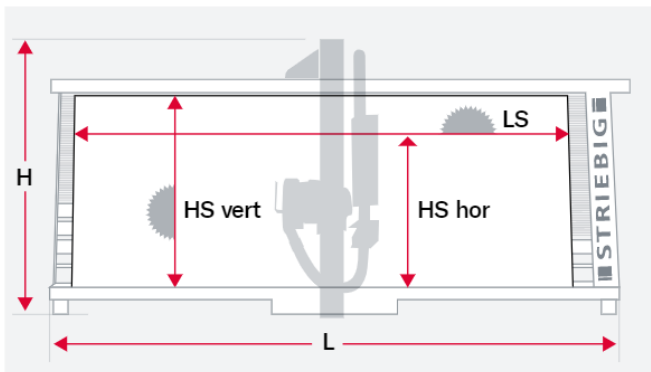
Permissible ambient temperature min: + 5 °C / max. + 40 °C

Relative humidity: 19 - 95% without condensation

In case of mains fluctuations greater than +/- 10% of the nominal voltage, a voltage stabiliser must be installed at the place of use.

The technical specifications are approximate values.

We reserve the right to make changes due to further developments.



### Dimensions in mm

Type	L	H	T1 free	T2 Wall
6220	6505	2980	1466	1441
6207	6505	2838	1428	1428
6164	6505	2400	1391	1391
5220	5826	2980	1466	1441
5207	5826	2838	1428	1428
5164	5826	2400	1391	1391
4220	4256	2980	1466	1441
4207	4256	2838	1428	1428
4164	4256	2400	1391	1391

### Cutting area in mm

Type	LS	HS vertical	HS horizontal
6220	5350	2200	2100
6207	5350	2070	1958
6164	5350	1640	1532
5220	4600	2200	2100
5207	4600	2070	1958
5164	4600	1640	1532
4220	3100	2200	2100
4207	3100	2070	1958
4164	3100	1640	1532